

OLD PALM EAST

BEING A REPLAT OF A PORTION OF PARCEL 2, OLD PALM PLAT 1, AS RECORDED IN PLAT BOOK 96, PAGES 31 THROUGH 34, PUBLIC RECORDS OF PALM BEACH COUNTY, FLORIDA LYING IN SECTIONS 35 AND 36, TOWNSHIP 41 SOUTH, RANGE 42 EAST AND SECTIONS 1 AND 2, TOWNSHIP 42 SOUTH, RANGE 42 EAST CITY OF PALM BEACH GARDENS, PALM BEACH COUNTY, FLORIDA
SHEET 3 OF 5 MARCH 2004

116

STATE OF FLORIDA
COUNTY OF PALM BEACH
This plat was filed for record at _____ M. this day of _____, 2004 and duly recorded in Plat Book No. _____ on Pages _____ thru _____.
DOROTHY H. WILKEN
Clerk Circuit Court
By _____ D.C.

MATCH LINE SHEET 2

GOLF TRACT 1

GOLF TRACT 1

LOT 1
(SEE SHEET 5 FOR DETAILS)

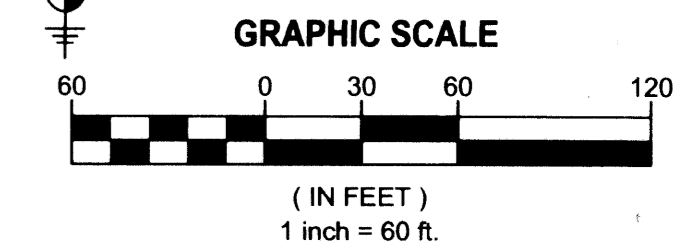
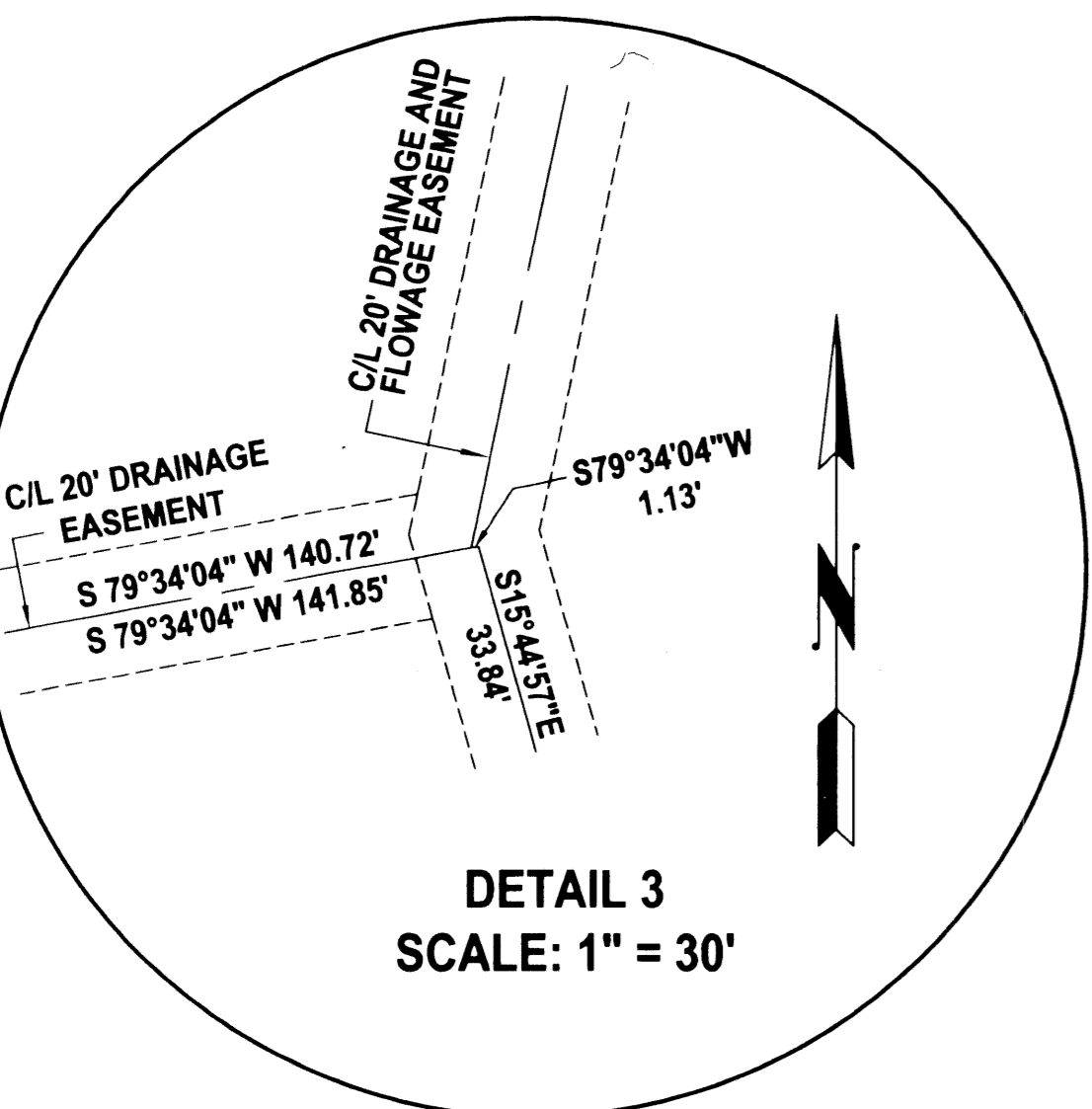
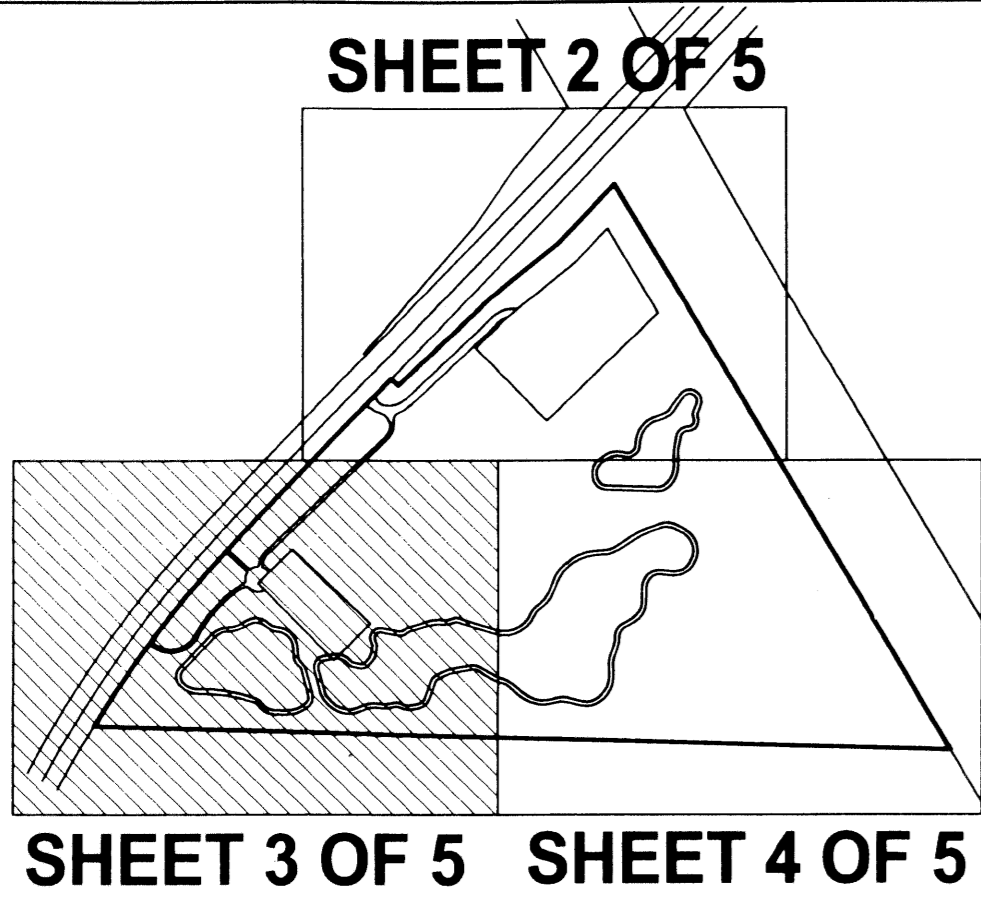
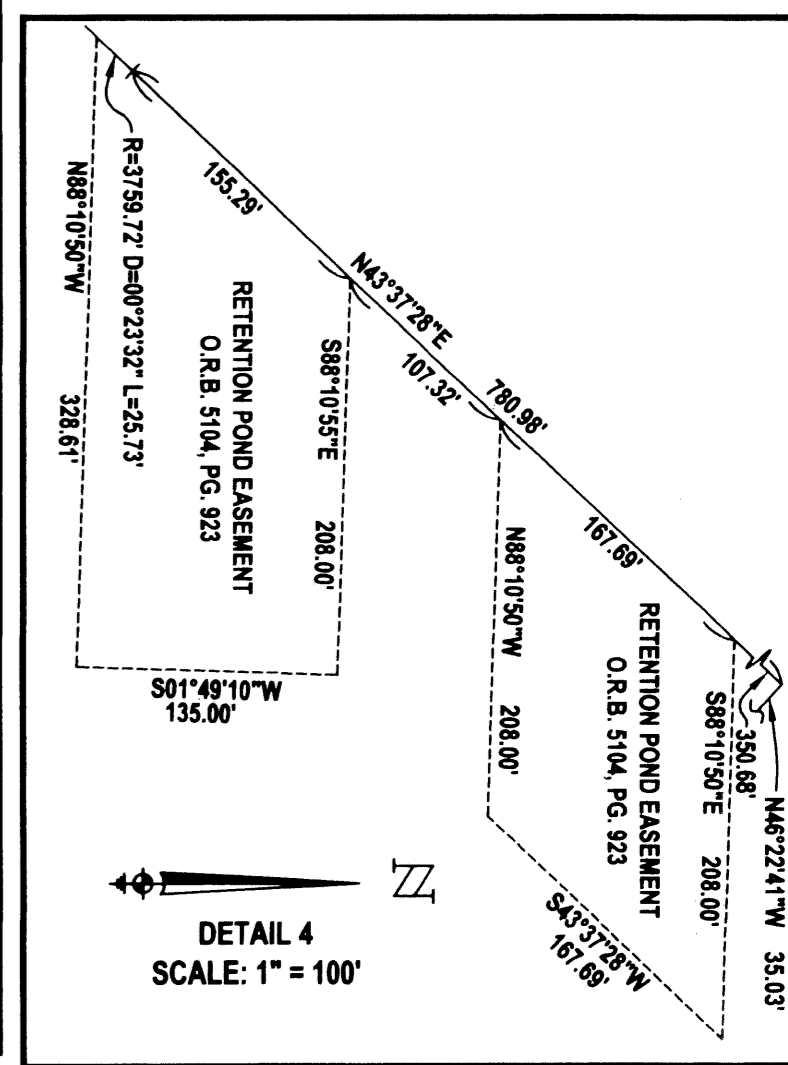
LAKE TRACT 14

GOLF TRACT 1

PRESERVE TRACT 2

OPEN SPACE TRACT 1
S88°21'18"E 2976.15'

MATCH LINE SHEET 4



UNPLATTED

LIDBERG LAND SURVEYING, INC.

LB 4431 675 West Indiantown Road, Suite 200, Jupiter, Florida 33458 TEL: 561-746-8454

CAD K:\AUTOCAD2000\354142\OLDPALMEAST\03-081\DWG\30-081-306.DWG			
REF	FB.	PG.	JOB 03-081 (306)
FLD	S.F.B.		DATE 06/01/03
OFF	D.C.L.	SHEET 3 OF 5	DWG D03-081P